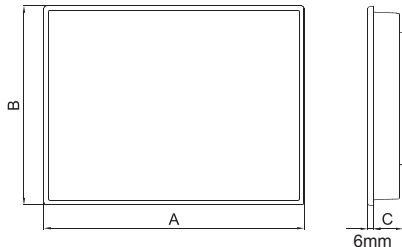
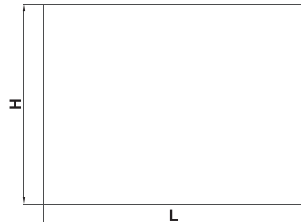


_A2 Series HMI Panels / _A2系列人機介面 / _A2系列人機界面

Outlet Dimension / 外觀尺寸 / 外观尺寸

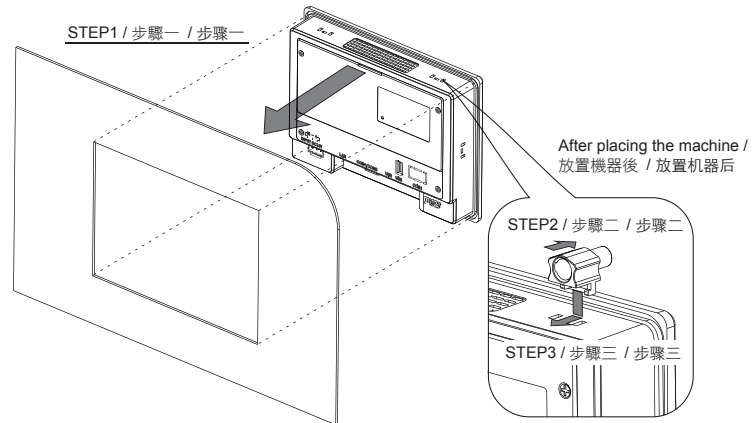


Cut Out Dimension / 開孔尺寸 / 开孔尺寸



Model	A	B	C	L	H
_A2043-20ST/FT	129mm/5.08"	103mm/4.06"	26.3mm/1.04"	119mm/4.69"	93mm/3.66"
_A2070-30ST/FT	203.5mm/8.01"	149mm/5.87"	33mm/1.30"	192mm/7.56"	138.5mm/5.45"
_A2100-30ST/FT	270.1mm/10.63"	212.1mm/8.35"	42.5mm/1.67"	259.5mm/10.22"	201.5mm/7.93"

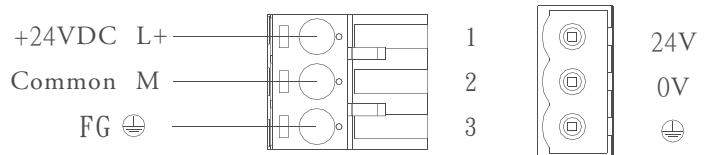
Installation Drawing / 安裝示意圖 / 安裝示意圖



Power Supply / 電源供應 / 电源供应



Powered by a Low Voltage / Limited Energy power source.
以低電壓提供電力/限制能源電源 / 以低电压提供电力/限制能源电源

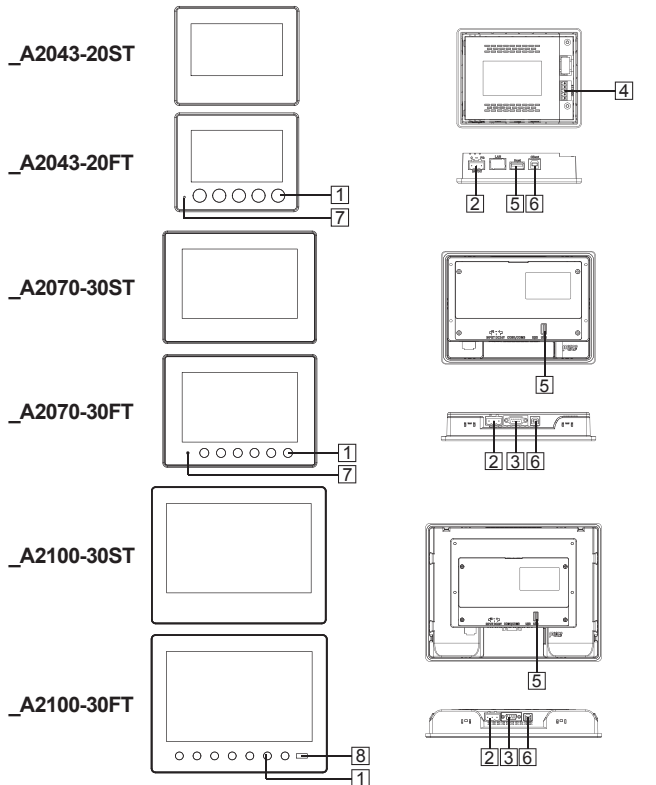


Do not open the rear cover of the panel when power is applied.
電源送電時請勿開啟後殼 / 电源送电时请勿开启后壳



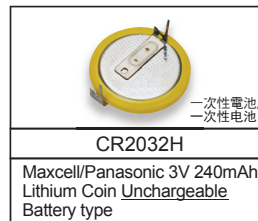
Be sure that the power supply has enough power capacity for the operation of the equipment.
送電時請確定電源設備的電源能力符合產品硬體規範。
送电时请确定电源设备的电源能力符合产品硬件规范。

Function View / 功能配置圖 / 功能配置圖



- 1 Front Function Key / 前置功能鍵 / 前置功能鍵
- 2 Power connector / 電源端子 / 电源端子
- 3 COM1&2&3 9Pin Female / COM1&2&3 9Pin 母座 / COM1&2&3 9Pin母座
- 4 COM1&3 5Pin Terminal / COM1&3 5Pin 端子接頭 / COM1&3 5Pin端子接头
- 5 USB Host / USB主接口 / USB主接口
- 6 USB Client / USB從接口 / USB从接口
- 7 Power LED / 電源燈 / 电源灯
- 8 Front USB Connector(Optional) / 前置USB接口(選購) / 前置USB接口(选购)

Dispose of batteries / 電池處置 / 電池處置



Dispose of batteries according to local regulations.

廢棄電池的處置請依據使用者所在地區之規範辦理廢棄電池處置方式。 / 废弃电池的处置请依据使用者所在地对废弃电池处置方式办理。

Connections / 腳位圖 / 脚位图

_A2043	COM1 & COM3 5 Pin Terminal / 5 Pin端子接頭 / 5 Pin端子接头		RS-232(COM1)																				
			RS-485(COM3)																				
_A2070 / _A2100	COM1 & COM2 & COM3 DB-9-Female / DB-9 母座 / DB-9 母座		<table border="1"> <thead> <tr> <th>Pin</th> <th>Description</th> </tr> </thead> <tbody> <tr><td>1</td><td>RS422 TXD+ / RS485 + (COM2)</td></tr> <tr><td>2</td><td>RS232 RXD (COM1)</td></tr> <tr><td>3</td><td>RS232 TXD (COM1)</td></tr> <tr><td>4</td><td>RS422 RXD+ (COM2)</td></tr> <tr><td>5</td><td>SG</td></tr> <tr><td>6</td><td>RS422 TXD- / RS485 - (COM2)</td></tr> <tr><td>7</td><td>RS485 - (COM3)</td></tr> <tr><td>8</td><td>RS485 + (COM3)</td></tr> <tr><td>9</td><td>RS422 RXD- (COM2)</td></tr> </tbody> </table>	Pin	Description	1	RS422 TXD+ / RS485 + (COM2)	2	RS232 RXD (COM1)	3	RS232 TXD (COM1)	4	RS422 RXD+ (COM2)	5	SG	6	RS422 TXD- / RS485 - (COM2)	7	RS485 - (COM3)	8	RS485 + (COM3)	9	RS422 RXD- (COM2)
Pin	Description																						
1	RS422 TXD+ / RS485 + (COM2)																						
2	RS232 RXD (COM1)																						
3	RS232 TXD (COM1)																						
4	RS422 RXD+ (COM2)																						
5	SG																						
6	RS422 TXD- / RS485 - (COM2)																						
7	RS485 - (COM3)																						
8	RS485 + (COM3)																						
9	RS422 RXD- (COM2)																						

The products have been designed for use in an industrial environment in compliance with the 2004/108/EC directive.
本產品適用於工業環境並符合2004/108/EC規範 / 本产品适用于工业环境并符合2004/108/EC规范

The products have been designed in compliance with:
本產品符合以下法規: / 本产品符合以下法規:

- EN 61000-6-4: 2007 +A1: 2011
- EN 61000-3-2: 2006 +A1: 2009 +A2: 2009
- EN 61000-3-3: 2013
- EN 61000-6-2: 2005

IEC 61000-4-2: 2008; IEC 61000-4-3: 2006 +A1: 2007 +A2: 2010;
IEC 61000-4-4: 2012; IEC 61000-4-5: 2005; IEC 61000-4-6: 2008
IEC 61000-4-8: 2009; IEC 61000-4-11: 2004

The installation of these devices into the residential, commercial and light-industrial environments is allowed only in the case that special measures are taken in order to get the conformity to IEC-61000-6-3.

本產品若要安裝於住宅; 商業及輕工業的環境時, 必須加測特殊檢驗以符合IEC-61000-6-3 / 本产品若要安裝於住宅; 商业及轻工业的环境时, 必须加测特殊检验以符合IEC-61000-6-3

Reproduction of the contents of this copyrighted document, in whole or part without written permission of Cermate Technologies Inc., is prohibited. \

本文件內容版權為Cermate Technologies Inc.所有, 非經本公司同意, 請勿自行重製、拷貝或修正文件內容
本文件內容版權為Cermate Technologies Inc.所有, 非經本公司同意, 請勿自行重製、拷貝或修正文件內容